

Katalog náhradních dílů pro
průmyslový šicí stroj

GARUDAN®

GC-315-144 serie

GC-315-148 serie



ANITA B, s.r.o.

Průmyslová 2453/7

680 01 Boskovice

Czech Republic

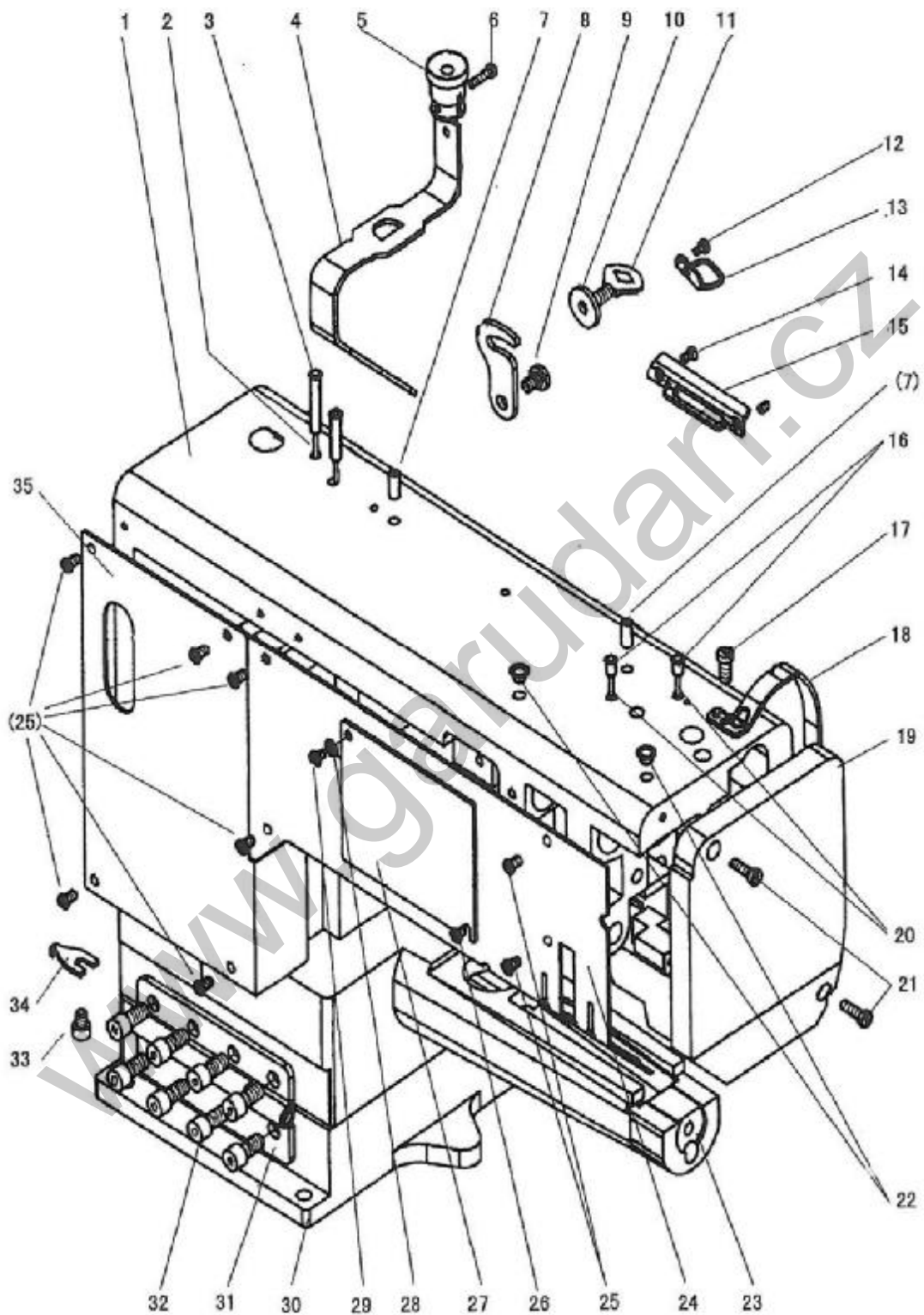
tel: +420 516 454 774

+420 516 453 496

fax: +420 516 452 751

e-mail: info@anita.cz

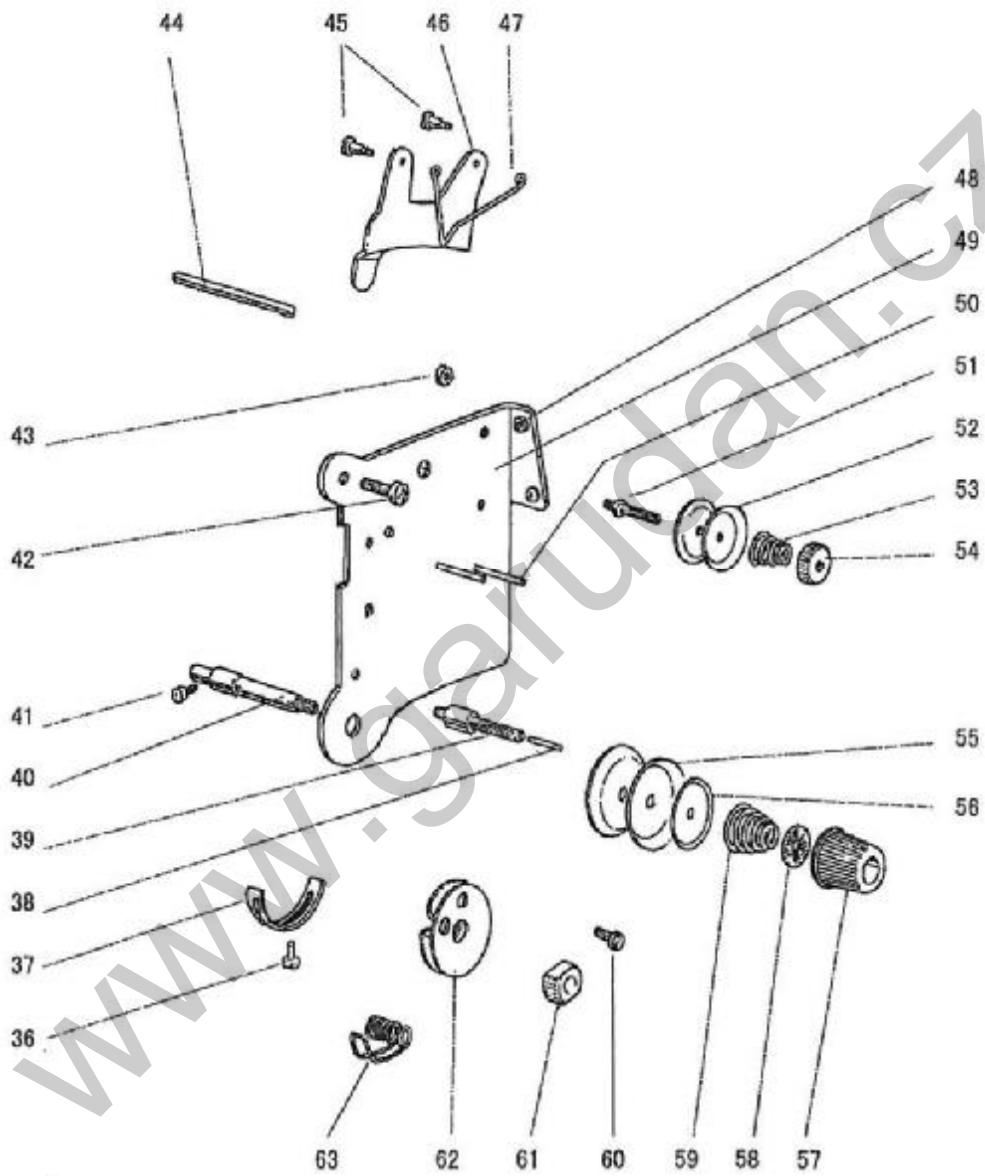
A.ARM BED AND ITS ACCESSORIES(1)



A. ARM BED AND ITS ACCESSORIES

Fig No.	Part. No.	Description	Pcs.	Remarks
A01	H7307B8001	Arm	1	
A02	H7331B8001	Oil wick	2	
A03	H7330B8001	Oil pipe	2	
A04	H7326B8001	Felt	1	
A05	H7327B8001	Holder	1	
A06	H401040160	Screw	1	GB/T65 M4×16
A07	H7334B8001	Oil pipe	2	
A08	H4100B2060	Link plate	1	
A09	H4100B2070	Screw	1	SM1/4 (24) × 5.7
A10	H4100B2090	Washer	1	
A11	H4100B2080	Screw	1	SM1/4 (24) × 20
A12	HA700B2060	Screw	1	SM11/64 (40) × 8
A13	H7335B8001	Thread guide	1	
A14	H7322B8001	Screw	2	M4×6
A15	H7321B8001	Thread guide	1	
A16	H7328B8001	Oil pipe	2	
A17	HA300C2030	Screw	1	SM11/64 (40) × 8
A18	H3200B2050	Thread take-up cover	1	
A19	H7319B8001	Face plate	1	
A20	H7329B8001	Oil wick	2	
A21	H401050160	Screw	2	GB/T65 M5×16
A22	HA106B0673	Oil cup	2	φ 19
A23	H7309B8001	Arm bed	1	
A24	H7312B8001	Arm side cover (1)	1	
A25	H7314B8001	Screw	8	M5×8
A26	H7316B8001	Screw	1	M4×6
A27	H7315B8001	Cover	1	
A28	H7318B8001	Washer	1	
A29	H7317B8001	Screw	1	M4×4.5
A30	H7311B8001	Supporter	1	
A31	H5350B7101	Hinge	1	
A32	H415080160	Screw	8	GB/T70.1 M8×16
A33	H415060080	Screw	1	GB/T70.1 M6×8
A34	H7338B8001	Holder	1	
A35	H7313B8001	Arm side cover (2)	1	
A36	H3200B2100	Screw	1	SM9/64 (40) × 6.5
A37	H3221B6819	Spring stop	1	
A38	H3221B6817	Pin	1	
A39	H3221B0686	Screw	1	SM1/4 (40) × 14.5
A40	H4805C8001	Thread tension stud	1	SM1/4 (40) × 8.5
A41	H2004J0067	Screw	1	SM9/64 (40) × 7
A42	HA300C2030	Screw	1	SM11/64 (40) × 8
A43	H3221B6810	Nut	1	SM11/64 (40) × 3

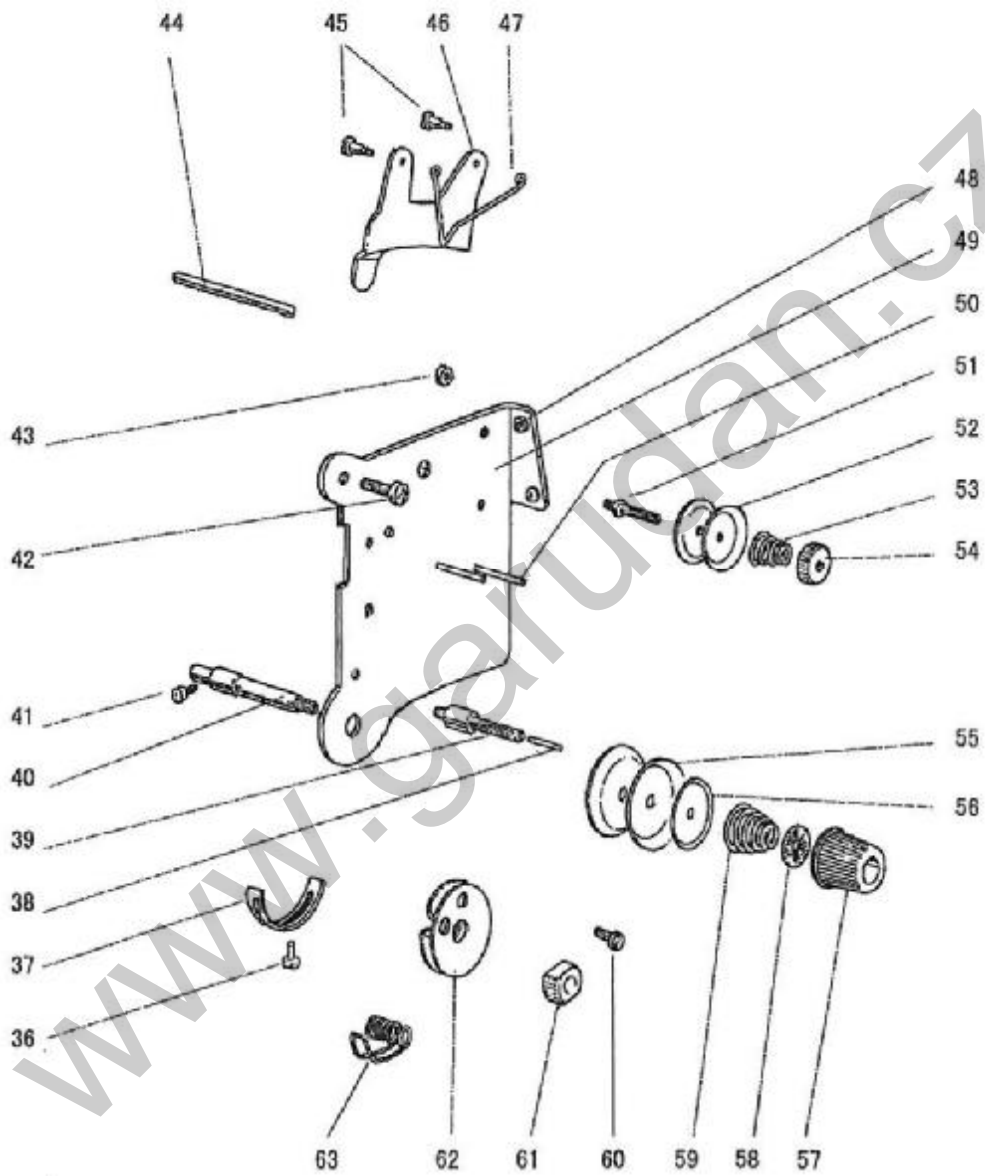
A.ARM BED AND ITS ACCESSORIES(2)



A. ARM BED AND ITS ACCESSORIES

Fig No.	Part. No.	Description	Pcs.	Remarks
A01	H7307B8001	Arm	1	
A02	H7331B8001	Oil wick	2	
A03	H7330B8001	Oil pipe	2	
A04	H7326B8001	Felt	1	
A05	H7327B8001	Holder	1	
A06	H401040160	Screw	1	GB/T65 M4×16
A07	H7334B8001	Oil pipe	2	
A08	H4100B2060	Link plate	1	
A09	H4100B2070	Screw	1	SM1/4 (24) × 5.7
A10	H4100B2090	Washer	1	
A11	H4100B2080	Screw	1	SM1/4 (24) × 20
A12	HA700B2060	Screw	1	SM11/64 (40) × 8
A13	H7335B8001	Thread guide	1	
A14	H7322B8001	Screw	2	M4 × 6
A15	H7321B8001	Thread guide	1	
A16	H7328B8001	Oil pipe	2	
A17	HA300C2030	Screw	1	SM11/64 (40) × 8
A18	H3200B2050	Thread take-up cover	1	
A19	H7319B8001	Face plate	1	
A20	H7329B8001	Oil wick	2	
A21	H401050160	Screw	2	GB/T65 M5 × 16
A22	HA106B0673	Oil cup	2	φ 19
A23	H7309B8001	Arm bed	1	
A24	H7312B8001	Arm side cover (1)	1	
A25	H7314B8001	Screw	8	M5 × 8
A26	H7316B8001	Screw	1	M4 × 6
A27	H7315B8001	Cover	1	
A28	H7318B8001	Washer	1	
A29	H7317B8001	Screw	1	M4 × 4.5
A30	H7311B8001	Supporter	1	
A31	H5350B7101	Hinge	1	
A32	H415080160	Screw	8	GB/T70.1 M8 × 16
A33	H415060080	Screw	1	GB/T70.1 M6 × 8
A34	H7338B8001	Holder	1	
A35	H7313B8001	Arm side cover (2)	1	
A36	H3200B2100	Screw	1	SM9/64 (40) × 6.5
A37	H3221B6819	Spring stop	1	
A38	H3221B6817	Pin	1	
A39	H3221B0686	Screw	1	SM1/4 (40) × 14.5
A40	H4805C8001	Thread tension stud	1	SM1/4 (40) × 8.5
A41	H2004J0067	Screw	1	SM9/64 (40) × 7
A42	HA300C2030	Screw	1	SM11/64 (40) × 8
A43	H3221B6810	Nut	1	SM11/64 (40) × 3

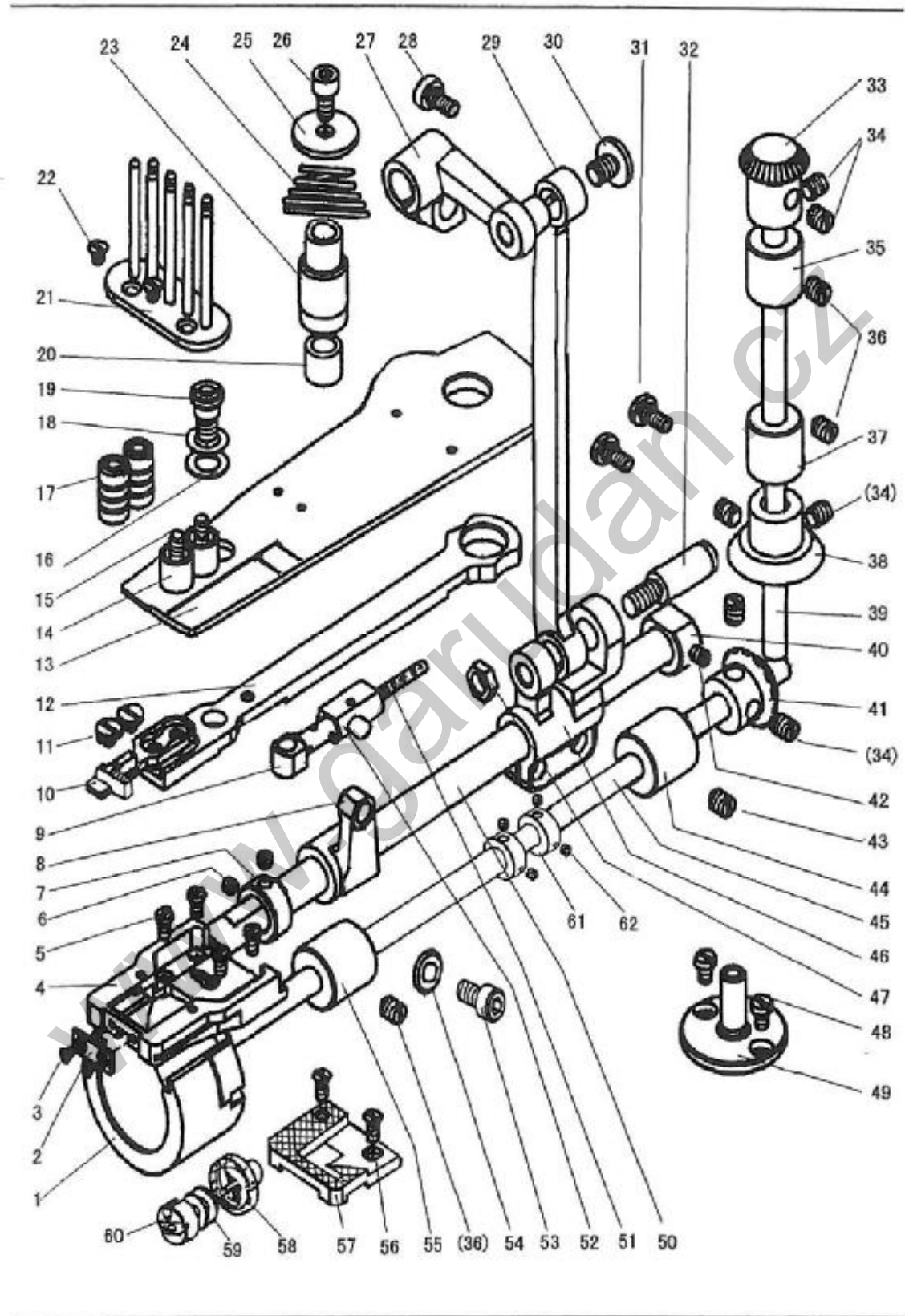
A.ARM BED AND ITS ACCESSORIES(2)



A. ARM BED AND ITS ACCESSORIES

Fig No.	Part No.	Description	Pcs.	Remarks
A44	H3221B6818	Thread releasing pin	1	
A45	H3221B6811	Screw	2	SM9/64 (40) × 3
A46	H3221B3142	Tension releasing plate	1	
A47	H3221B6812	Tension releasing spring	1	
A48	H3221B0681	Porcelain cluct	2	
A49	H4907C7101	Mounting plate	1	
A50	H3221B0682	Pin	2	
A51	H3221B0683	Thread tension stud	1	SM11/64 (40) × 10
A52	HA112B0693	Thread tension disc	2	
A53	H3221B0684	Spring	1	
A54	HA710B0671	Thumb nut	1	SM11/64 (40) × 6
A55	HA310B0705	Thread tension disc	2	
A56	HA310B0702	Thread tension releasing disc	1	
A57	HA310B0701	Thumb nut revolution stopper	1	
A58	HA115B7010	Thumb nut complete	1	
A59	H3013B0701	Spring	1	
A60	H4804C8001	Screw	1	SM9/64 (40) × 2.9
A61	H32481B721	Thumb nut	1	SM1/4 (40) × 4.5
A62	H32481BD21	Plate complete	1	
A63	H4713C8001	Thread take-up spring	1	

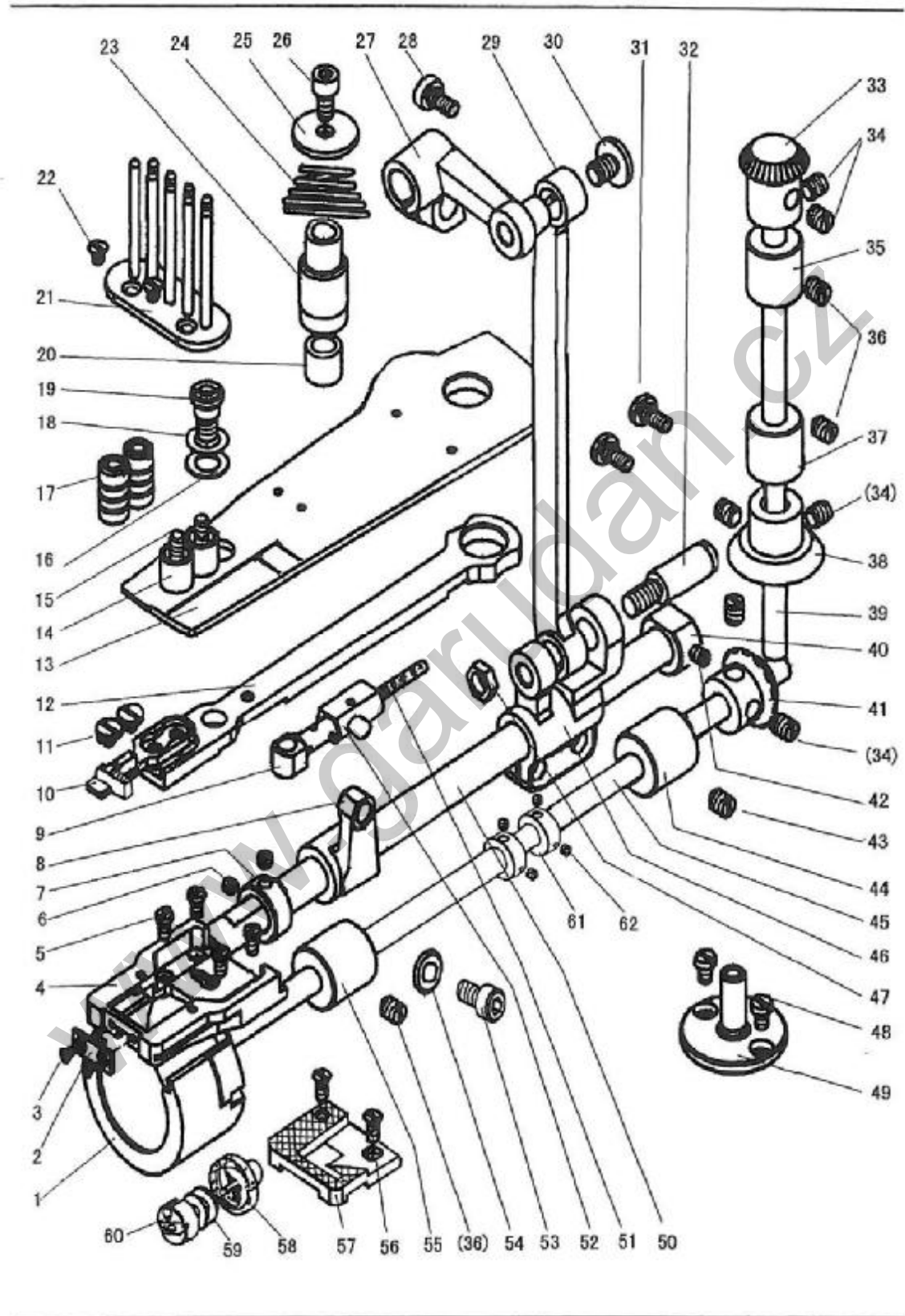
B.FEEDING AND FEED LIFTING & ROTATING HOOK SHAFT MECHANISM



B. FEEDING AND FEED LIFTING & ROTATING HOOK SHAFT MECHANISM

Fig No.	Part. No.	Description	Pcs.	Remarks
B02	HK607E8001	Hook positioner	1	
B03	HK637E8001	Screw	2	SM3/32 (56) × 2. 1
B04	HK605E8001	Fixing plate bracket for the needle plate	1	
B05	H4913J8001	Screw	4	SM9/64 (40) × 4. 5
B06	H428040040	Set screw	2	
B07	HY618F8001	Feed rock shaft collar (left)	1	
B08	HDC3058001	Feed rock shaft crank (left)	1	
B09	H7352C8001	Bracket	1	
B10	H7321C8001	Feed dog	1	
B11	H7322C8001	Screw	2	SM9/64 (40) × 4
B12	H7324C8001	Feed bar	1	
B13	H7332C8001	Wiggle plate	1	
B14	H7336C8001	Screw	2	SM11/64 (40) × 14
B14	H7338C8001	Bushing	2	
B16	H7334C8001	Washer	1	
B17	H7337C8001	Nut	2	SM11/64 (40) × 19
B18	H7335C8001	Washer	1	
B19	H7333C8001	Pin	1	
B20	H7328C8001	Bearing for feed bar holder	2	HK0810
B21	H7339C7101	Mounting plate complete	1	
B22	H7342C8001	Screw	2	SM9/64 (40) × 3
B23	H7325C8001	Bushing for feed bar holder	1	
B24	H7327C8001	Spring for feed bar holder	1	
B25	H7329C8001	Washer	1	
B26	H415050100	Screw	1	GB/T70. 1 M5 × 10
B27	H7355C8001	Crank	1	
B28	H415080160	Screw	1	GB/T70. 1 M8 × 16
B29	H7354C8001	Connecting rod for feed lifting	1	
B30	H7356C8001	Screw	1	SM1/4 (28) × 9
B31	H7360C8001	Screw	2	M6 × 13
B32	H7361C8001	Pin	1	
B33	HY508D8001	Vertical shaft gear (upper)	1	
B34	HA108C0663	Set screw	6	SM1/4 (40) × 7
B35	H7312C8001	Vertical shaft bushing (upper)	1	
B36	H428060080	Set screw	3	GB/T77 M6 × 8
B37	H7314C8001	Vertical shaft bushing (lower)	1	
B38	HK640E8001	Vertical shaft gear (lower)	1	
B39	HK610E8001	Vertical shaft	1	
B40	H7344C8001	Feed rock shaft collar (right)	1	
B41	HK639E8001	Rotating hook shaft gear	1	
B42	HA100B2110	Set screw	1	SM11/64 (40) × 5. 5
B43	H2404G0658	Screw	1	SM11/64 (32) × 7. 7

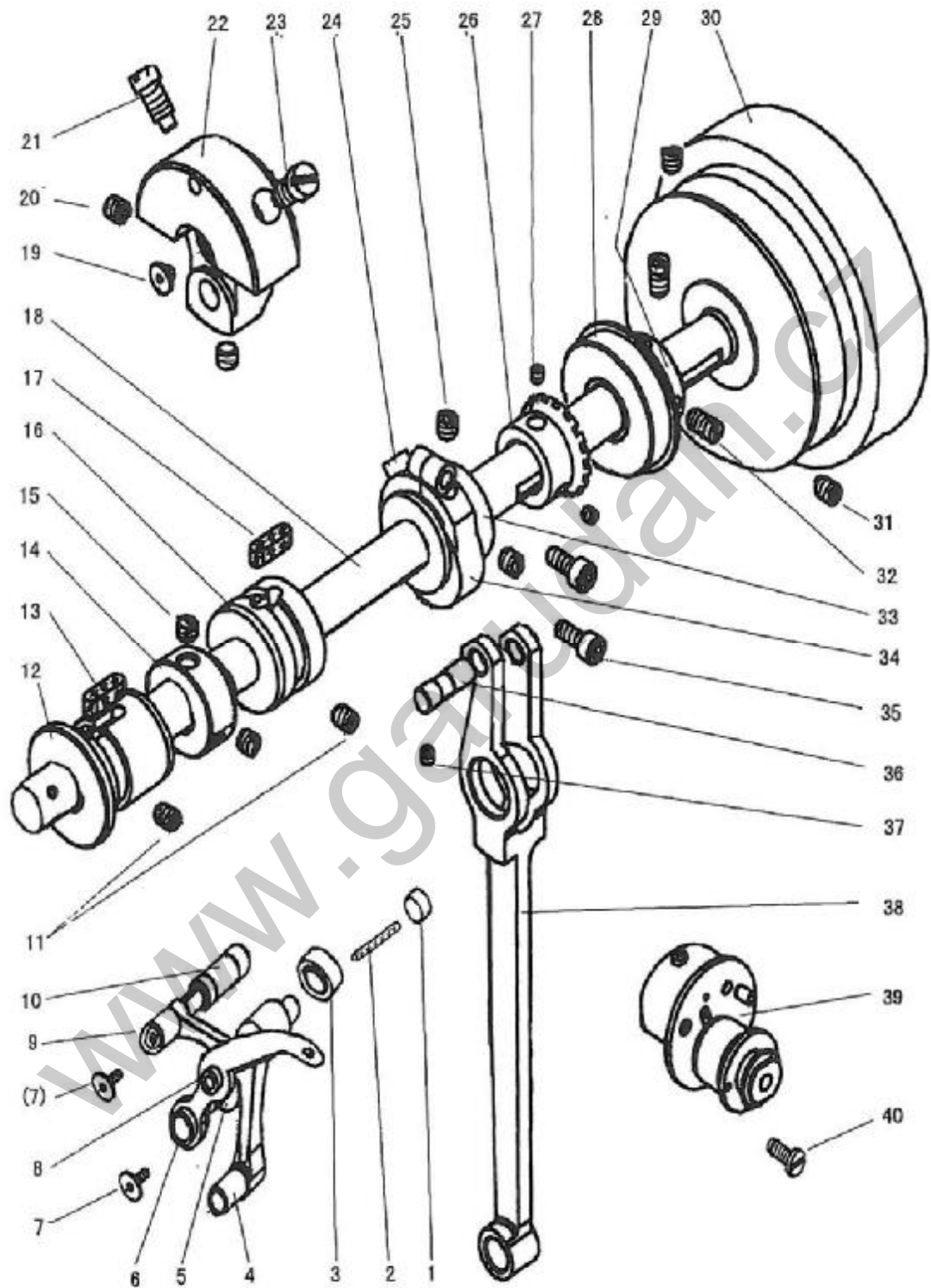
B.FEEDING AND FEED LIFTING & ROTATING HOOK SHAFT MECHANISM



B. FEEDING AND FEED LIFTING & ROTATING HOOK SHAFT MECHANISM

Fig No.	Part. No.	Description	Pcs.	Remarks
B44	H7316C8001	Rotating hook shaft bushing (right)	1	
B45	HK615E8001	Rotating hook shaft	1	
B46	H7359C8001	Feed rock shaft crank (right)	1	
B47	H7362C8001	Nut	1	SM1/4 (28) × 3.7
B48	H7330C8001	Screw	2	M4 × 6
B49	H7326C8001	Feed bar holder	1	
B50	HH41C98001	Feed rock shaft	1	
B51	H7353C8001	Oil wick	1	
B52	H7349C8001	Feed rock shaft crank (left) joint	1	
B53	H415040080	Screw	1	GB/T70.1 M4 × 8
B54	H7351C8001	Washer	1	
B55	H7317C8001	Rotating hook shaft bushing (left)	1	
B56	H7307C8001	Screw	2	SM8/64 (40) × 6
B57	H7306C8001	Needle plate	1	
B58	HK634E8001	Rotating hook	1	
B59	HK636E8001	Bobbin	1	
B60	HK635E8001	Bobbin sheath	1	

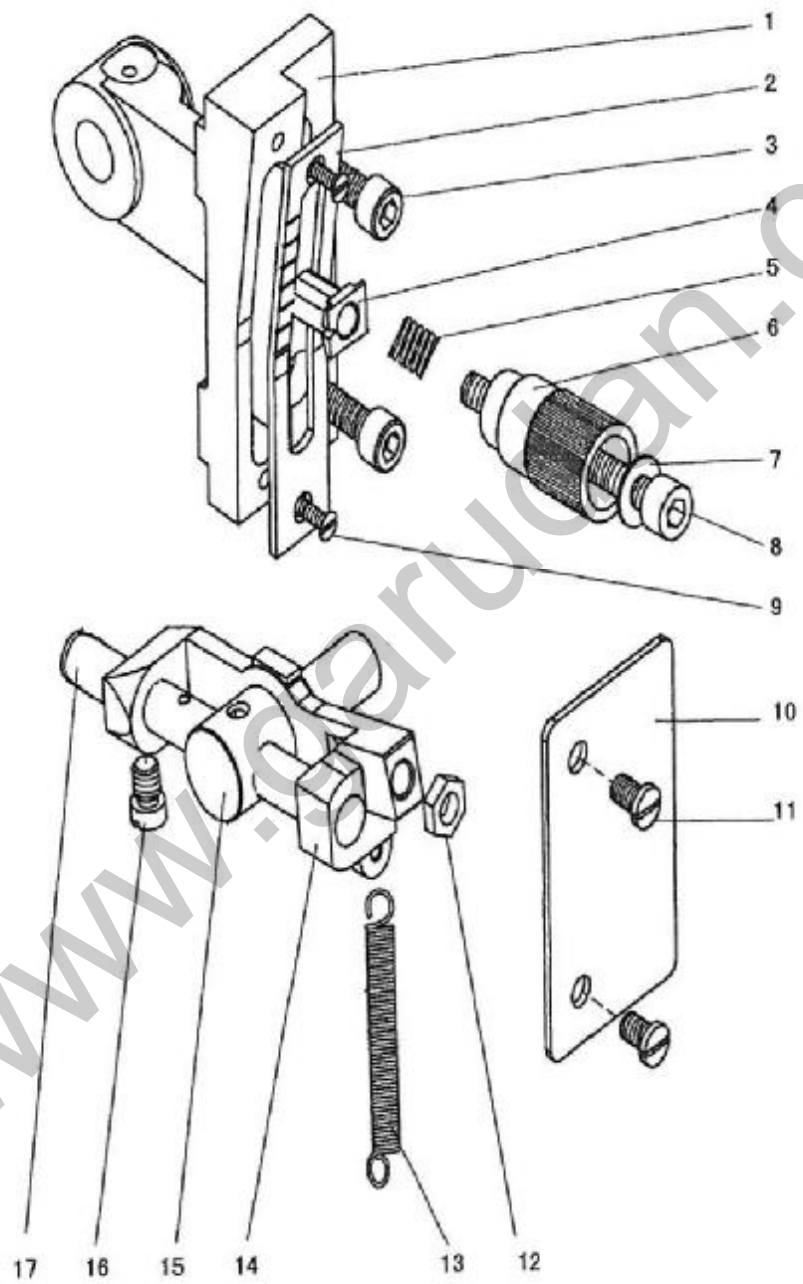
C.ARM SHAFT MECHANISM



C. ARM SHAFT MECHANISM

Fig No.	Part. No.	Description	Pcs.	Remarks
C01	H7354D8001	Rubber plug	1	
C02	H7355D8001	Oil wick	1	
C03	H7358D8001	Bearing	1	K9×12×13T2
C04	H7352D8001	Link	1	
C05	H7353D8001	Crank	1	
C06	H7348D8001	Thread take-up lever	1	
C07	H7351D8001	Screw	2	SM9/64 (40) × 7
C08	H7359D8001	Bearing	1	K7×10×8T2
C09	H7349D8001	Link for thread take-up	1	
C10	H7350D8001	Pin	1	
C11	H428060080	Screw	2	GB/T77 M6×8
C12	H7320D8001	Arm shaft bushing (left)	1	
C13	H7321D8001	Felt	1	
C14	H7324D8001	Wheel for bobbin winder	1	
C15	HA108C0662	Screw	2	SM1/4 (40) × 6
C16	H7322D8001	Arm shaft bushing (middle)	1	
C17	H7323D8001	Felt	1	
C18	H7318D8001	Arm shaft	1	
C19	H7319D8001	Arm shaft Plug	1	
C20	HA307C0662	Screw	2	SM1/4 (40) × 6
C21	HA100C2070	Screw	1	SM9/32 (28) × 10
C22	H7357D8001	Needle bar crank	1	
C23	HA100C2060	Screw	1	SM9/32 (28) × 13
C24	H7309D8001	Bracket for feed cam crank	1	
C25	HA108C0663	Screw	2	SM1/4 (40) × 7
C26	HY507D8001	Bevel gear for arm shaft	1	
C27	HA108C0663	Screw	2	SM1/4 (40) × 7
C28	H3208H0661	Bearing	1	6004ZZNR
C29	H5336C8001	Arm shaft bushing (right)	1	
C30	H2000C2040	Balance wheel	1	
C31	HA110D0672	Screw	2	SM15/64 (28) × 12
C32	HA113F0684	Screw	2	SM15/64 (28) × 8.5
C33	H7305D8001	Feed cam	1	
C34	H7308D8001	Cover for feed cam crank	1	
C35	H415050120	Screw	2	GB/T70.1 M5×12
C36	H7311D8001	Pin	1	
C37	H428040040	Screw	1	GB/T77 M4×4
C38	H7313D8001	Connecting rod for feed cam crank	1	
C39	H7325D7101	Bobbin winder assay	1	
C40	H7322B8001	Screw	1	GB/T65 M4×6

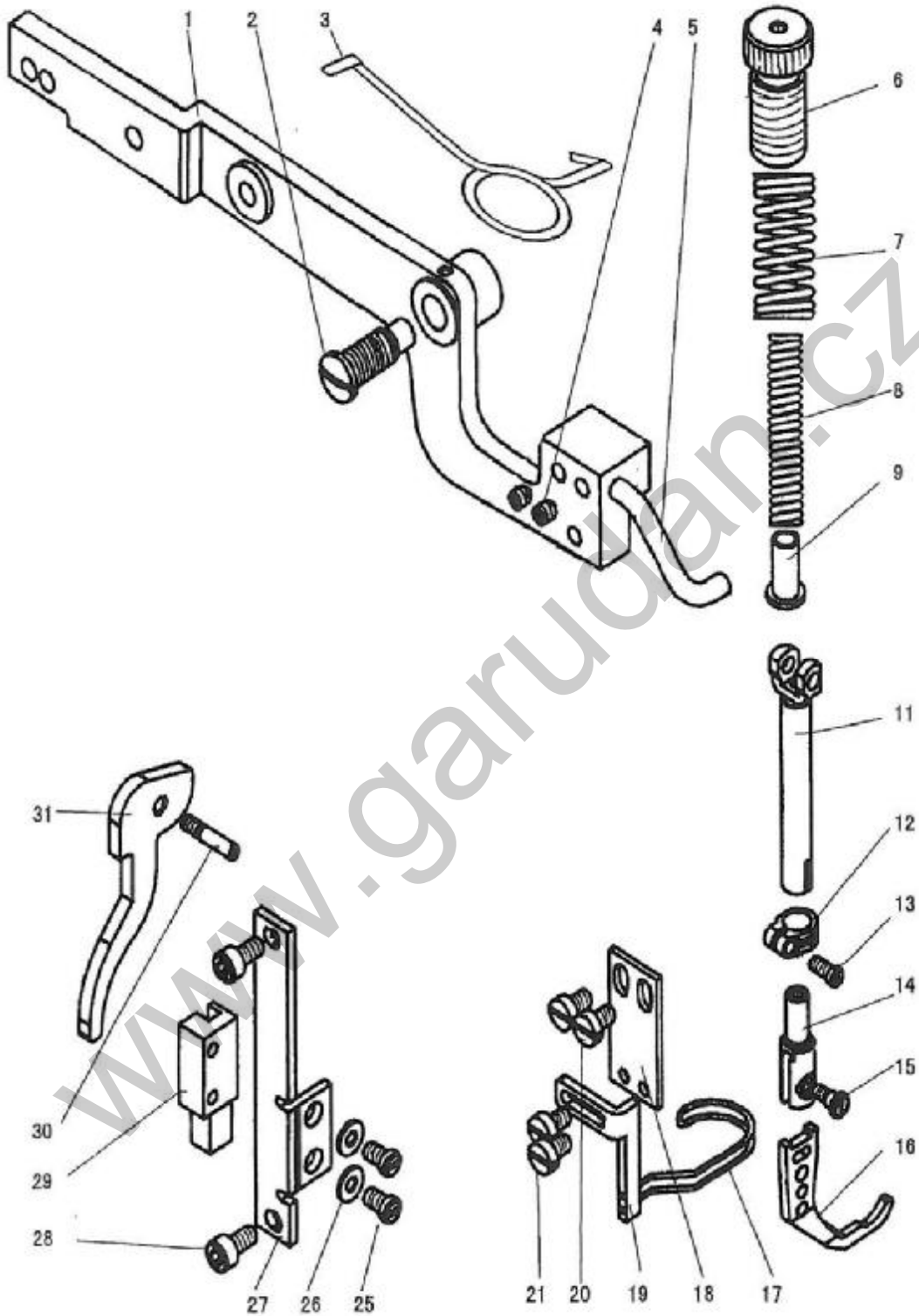
D. STITCH REGULATOR MECHANISM



D. STITCH REGULATOR MECHANISM

Fig No.	Part. No.	Description	Pcs.	Remarks
D01	H7305E8001	Bracket for stitch length plate	1	
D02	H7307E8001	Stitch length plate	1	
D03	H415060160	Screw	2	GB/T70.1 M6×16
D04	H7315E8001	Guide bushing	1	
D05	H7313E8001	Spring	1	
D06	H7310E7101	Stitch length regulating nut assy	1	
D07	H7314E8001	Washer	1	
D08	H7312E8001	Stud	1	M6 × 60
D09	H4100F2070	Screw	2	SM9/64 (40) × 7
D10	H7325E8001	Cover	1	
D11	H7326E8001	Screw	2	M5 × 7.5
D12	H7316E8001	Feed regulator screw bar	1	
D13	H7323E8001	Spring	1	
D14	H7318E8001	Setting frame	1	
D15	H7324E8001	Guide bushing	1	
D16	H7322E8001	Screw	1	SM15/64 (40) × 7.5
D17	H7319E7101	Pin	1	

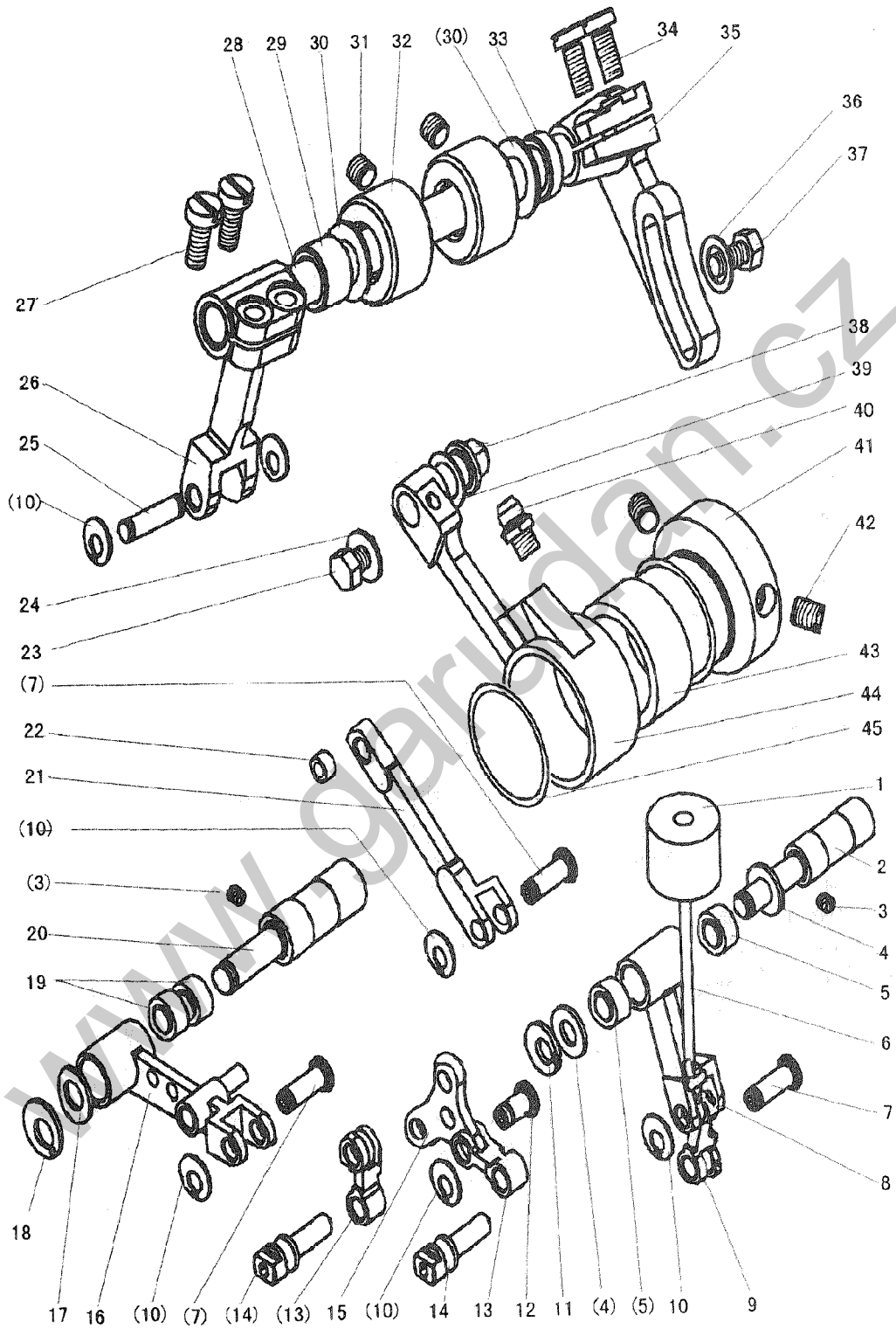
E.PRESSER FOOT MECHANISM



E. PRESSER FOOT MECHANISM

Fig No.	Part. No.	Description	Pcs.	Remarks
E01	H7307F8001	Knee lifter lever	1	
E02	H7311F8001	Screw	1	M8×10
E03	H7312F8001	Spring	1	
E04	H431050080	Screw	2	
E05	H7308F8001	Stop bar for knee lifter lever	1	
E06	H7330F8001	Thumb screw	1	SM5/8" (28) × 39
E07	H7331F8001	Spring	1	
E08	H7332F8001	Spring	1	
E09	H7333F8001	Pipe	1	
E11	H7324F8001	Vibrating presser bar	1	
E12	H7326F8001	Connecting stud for vibrating presser bar	1	
E13	H7327F8001	Screw	1	M4×8
E14	H7325F8001	Connecting stud for walking foot	1	
E15	H7329F8001	Screw	1	SM5/64 (40) × 5.8
E16	H7328F8001	Walking foot	1	
E17	H7335F8001	Walking foot guard cover	1	
E18	H7336F8001	Walking foot guard cover plate	1	
E19	H7337F8001	Walking foot guard cover bracket	1	
E20	H7342F8001	Screw	2	M5×8
E21	H7343F8001	Screw	2	M4×6
E25	H454040100	Screw	2	GB66016 M4×10
E26	H005001040	Washer	2	GB/T97.1 4
E27	H7341F8001	Mounting frame	1	
E28	H415050100	Screw	2	GB/T70.1 M5×10
E29	H7339F8001	Walking foot guide plate	1	
E30	H7305F8001	Presser bar lifter	1	M4×8
E31	H7304F8001	Presser bar lifter	1	

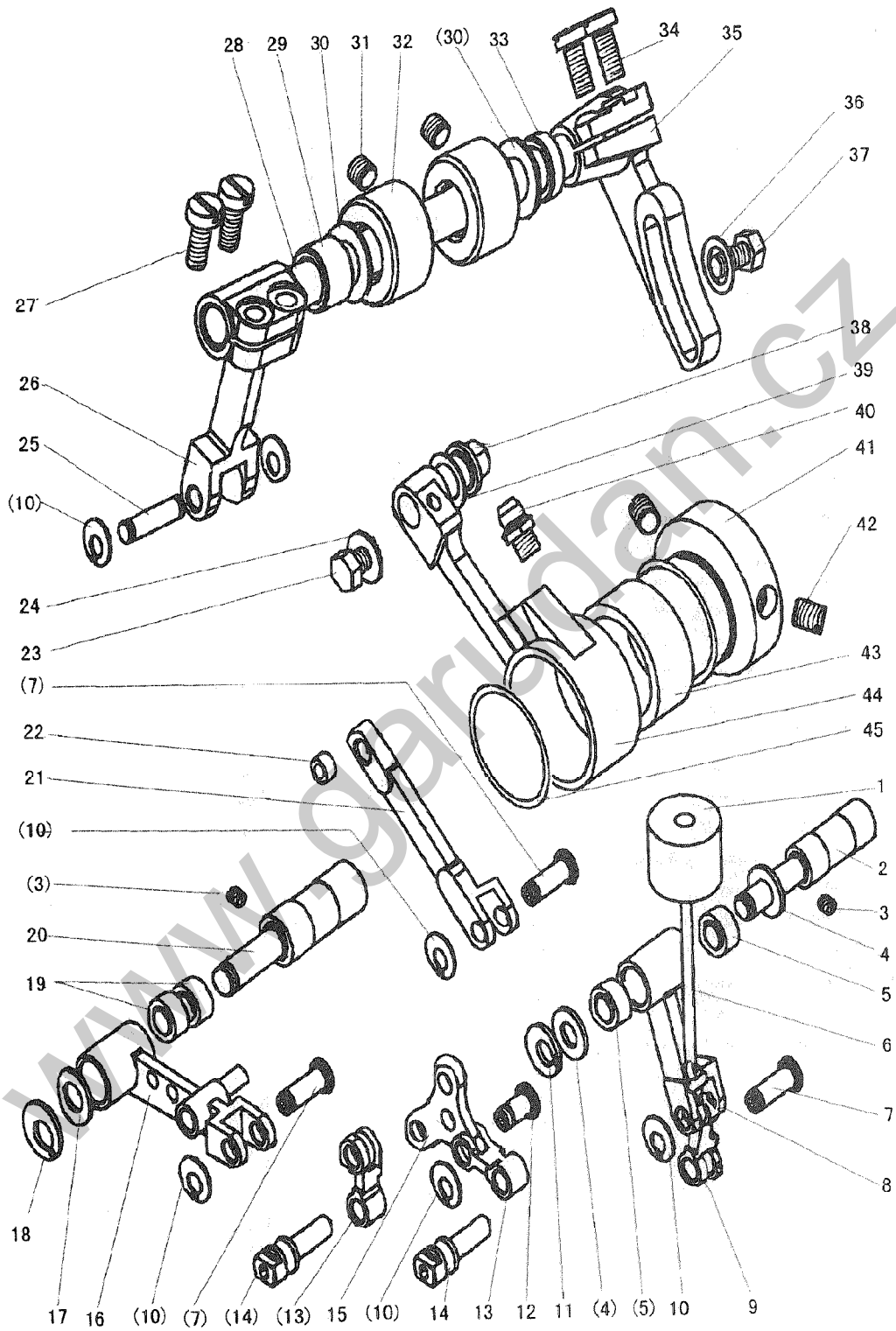
F. NEEDLE BAR FEEDING MECHANISM (1)



F. NEEDLE BAR FEEDING MECHANISM

Fig. No.	Part No.	Description	Pcs.	Remarks
F01	H7359G8001	Felt	1	
F02	H7361G8001	Pin	1	
F03	H428060080	Screw	2	GB/T77 M6×8
F04	H7362G8001	Washer	2	
F05	H7365G8001	Bearing	2	K6×9×8T2
F06	H7356G7101	Spring guide bar	1	
F07	H7337G8001	Pin	3	
F08	H7360G8001	Connecting rod	1	
F09	H7355G8001	Connecting rod	1	
F10	H007009050	Stop ring	6	GB/T894.1 5
F11	H007009060	Stop ring	1	GB/T894.1 6
F12	H7335G8001	Pin	1	
F13	H7333G8001	Connecting rod	2	
F14	H7334G8001	Slide block	2	
F15	H7336G8001	Crank	1	
F16	H7338G7101	Connecting rod complete	1	
F17	H7342G8001	Washer	1	
F18	H007009070	Stop ring	1	GB/T894.1 7
F19	H7359D8001	Bearing	2	K7×10×8T2
F20	H7341G8001	Pin	1	
F21	H7343G8001	Connecting rod	1	
F22	H7376G8001	Bearing	1	K5×8×8T2
F23	H453050080	Screw	1	GB30004 M5×8
F24	H7314G8001	Washer	1	
F25	H7344G8001	Pin	1	
F26	H7346G8001	Connecting rod	1	
F27	H7377G8001	Screw	2	M5×12
F28	H7347G8001	Upper feed lifting rock shaft	1	
F29	H7352G8001	Bushing (left)	1	
F30	H7353G8001	Washer (left)	2	
F31	H428060050	Screw	2	GB/T77 M6×5
F32	H7348G7101	Bushing for upper feed lifting rock shaft	2	
F33	H7354G8001	Bushing (right)	1	
F34	H7312G8001	Screw	2	M5×11.7
F35	H7311G8001	Regulating crank	1	
F36	H005001050	Washer	1	GB/T97.1 5
F37	H102050100	Screw	1	GB/T5781 M5×10
F38	H7313G8001	Pin	1	
F39	H7315G8001	Washer	1	
F40	HD00001060	Oil cup	1	JB/T7940.1 M6
F41	H7305G8001	Cam for presser foot lifting	1	
F42	H455060080	Screw	2	GB74031 M6×8
F43	H7316G8001	Bearing	1	K24×29×13

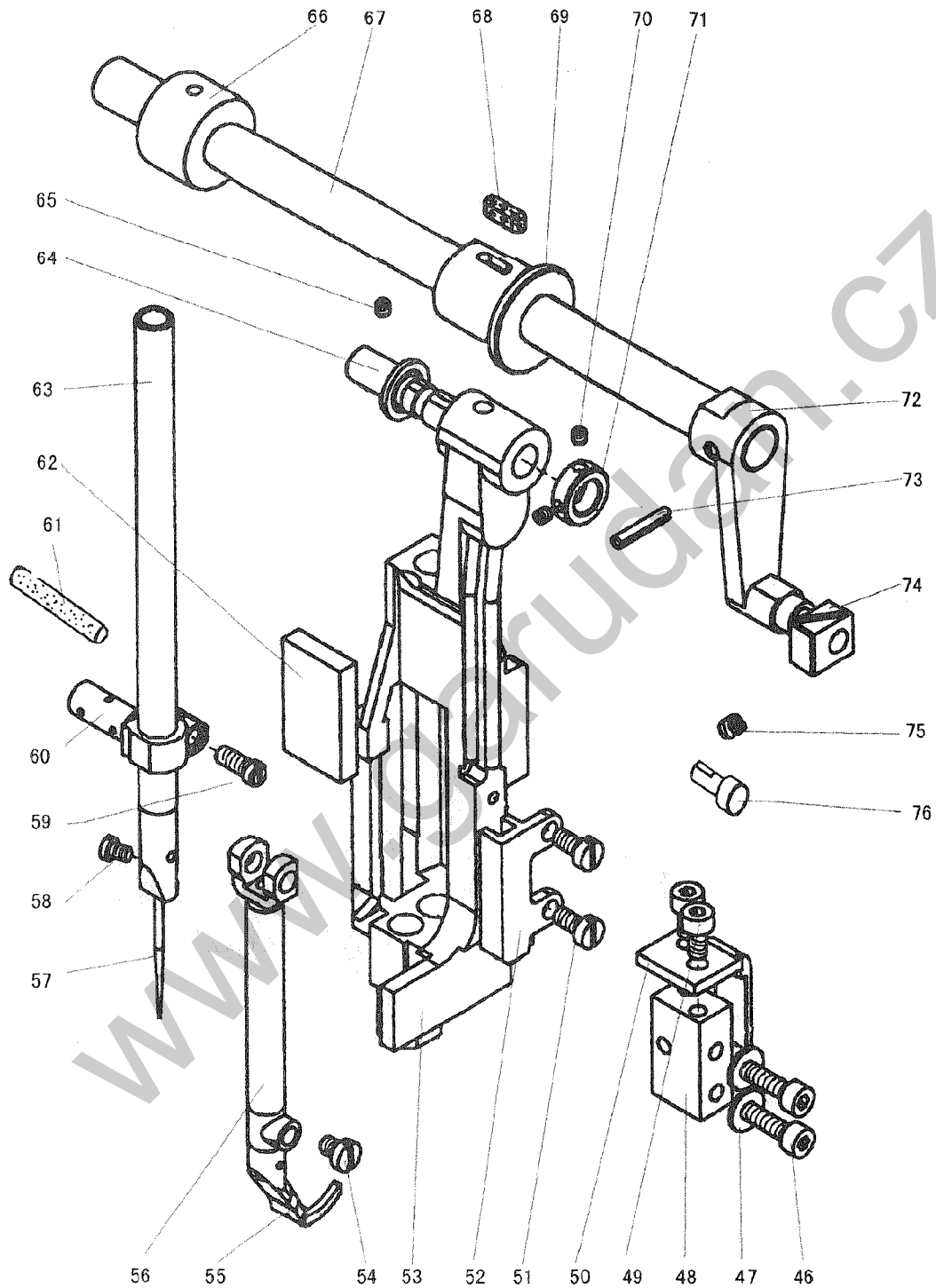
F. NEEDLE BAR FEEDING MECHANISM (1)



F. NEEDLE BAR FEEDING MECHANISM

Fig. No.	Part No.	Description	Pcs.	Remarks
F44	H7309G8001	Connecting rod	1	
F45	H7308G8001	Stop ring	2	
F46	H415040160	Screw	2	GB/T70.1 M4×16
F47	H005001040	Washer	2	GB/T97.1 4
F48	H7364G8001	Guide plate for needle bar rock frame	1	
F49	H415040080	Screw	2	GB/T70.1 M4×8
F50	H7366G8001	Fixing plate	1	
F51	H7378G8001	Screw	2	M4×8
F52	H7368G8001	Guide plate for slide block	1	
F53	H7320G8001	Needle bar rock frame	1	
F54	H7331G8001	Screw	1	M4×5.5
F55	H7330G8001	Presser foot	1	
F56	H7329G8001	Presser bar	1	
F57	H7317G8001	Needle	1	DF×35LR 14#-16#
F58	H3204D6510	Screw	1	SM1/8(44)×4
F59	H7327G8001	Screw	1	M4×10
F60	H7326G8001	Needle bar connecting stud	1	
F61	H7328G8001	Oil wick	1	
F62	H7321G8001	Felt	1	
F63	H7324G8001	Needle bar	1	
F64	H7322G8001	Pin for rock frame	1	
F65	H428050080	Screw	1	GB/T77 M5×8
F66	H7373G8001	Bushing	1	
F67	H7370G8001	Needle bar rock shaft	1	
F68	H7367G8001	Felt	1	
F69	H7371G8001	Bushing	1	
F70	H456030030	Screw	2	GB74001 M3×3
F71	H7323G8001	Collar	1	
F72	H7372G8001	Needle bar rock shaft crank	1	
F73	H602030160	Pin	1	GB/T117 3×16 (A型)
F74	H7374G8001	Square block	1	
F75	H7310F8001	Screw	1	M5×5
F76	H7375G8001	Spring stop	1	

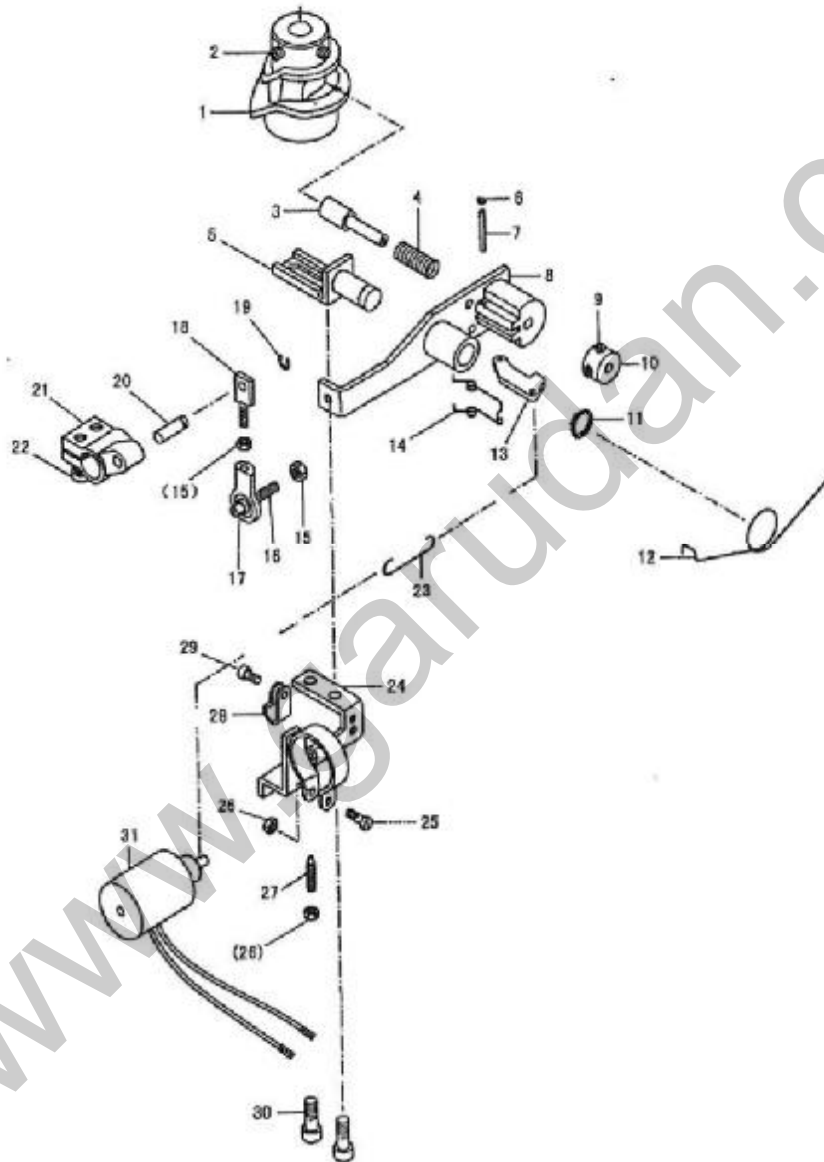
F. NEEDLE BAR FEEDING MECHANISM (2)



F. NEEDLE BAR FEEDING MECHANISM

Fig. No.	Part No.	Description	Pcs.	Remarks
F44	H7309G8001	Connecting rod	1	
F45	H7308G8001	Stop ring	2	
F46	H415040160	Screw	2	GB/T70.1 M4×16
F47	H005001040	Washer	2	GB/T97.1 4
F48	H7364G8001	Guide plate for needle bar rock frame	1	
F49	H415040080	Screw	2	GB/T70.1 M4×8
F50	H7366G8001	Fixing plate	1	
F51	H7378G8001	Screw	2	M4×8
F52	H7368G8001	Guide plate for slide block	1	
F53	H7320G8001	Needle bar rock frame	1	
F54	H7331G8001	Screw	1	M4×5.5
F55	H7330G8001	Presser foot	1	
F56	H7329G8001	Presser bar	1	
F57	H7317G8001	Needle	1	DP×35LR 14#-16#
F58	H3204D6510	Screw	1	SML/8 (44)×4
F59	H7327G8001	Screw	1	M4×10
F60	H7326G8001	Needle bar connecting stud	1	
F61	H7328G8001	Oil wick	1	
F62	H7321G8001	Felt	1	
F63	H7324G8001	Needle bar	1	
F64	H7322G8001	Pin for rock frame	1	
F65	H428050080	Screw	1	GB/T77 M5×8
F66	H7373G8001	Bushing	1	
F67	H7370G8001	Needle bar rock shaft	1	
F68	H7367G8001	Felt	1	
F69	H7371G8001	Bushing	1	
F70	H456030030	Screw	2	GB74001 M3×3
F71	H7323G8001	Collar	1	
F72	H7372G8001	Needle bar rock shaft crank	1	
F73	H602030160	Pin	1	GB/T117 3×16 (A型)
F74	H7374G8001	Square block	1	
F75	H7310F8001	Screw	1	M5×5
F76	H7375G8001	Spring stop	1	

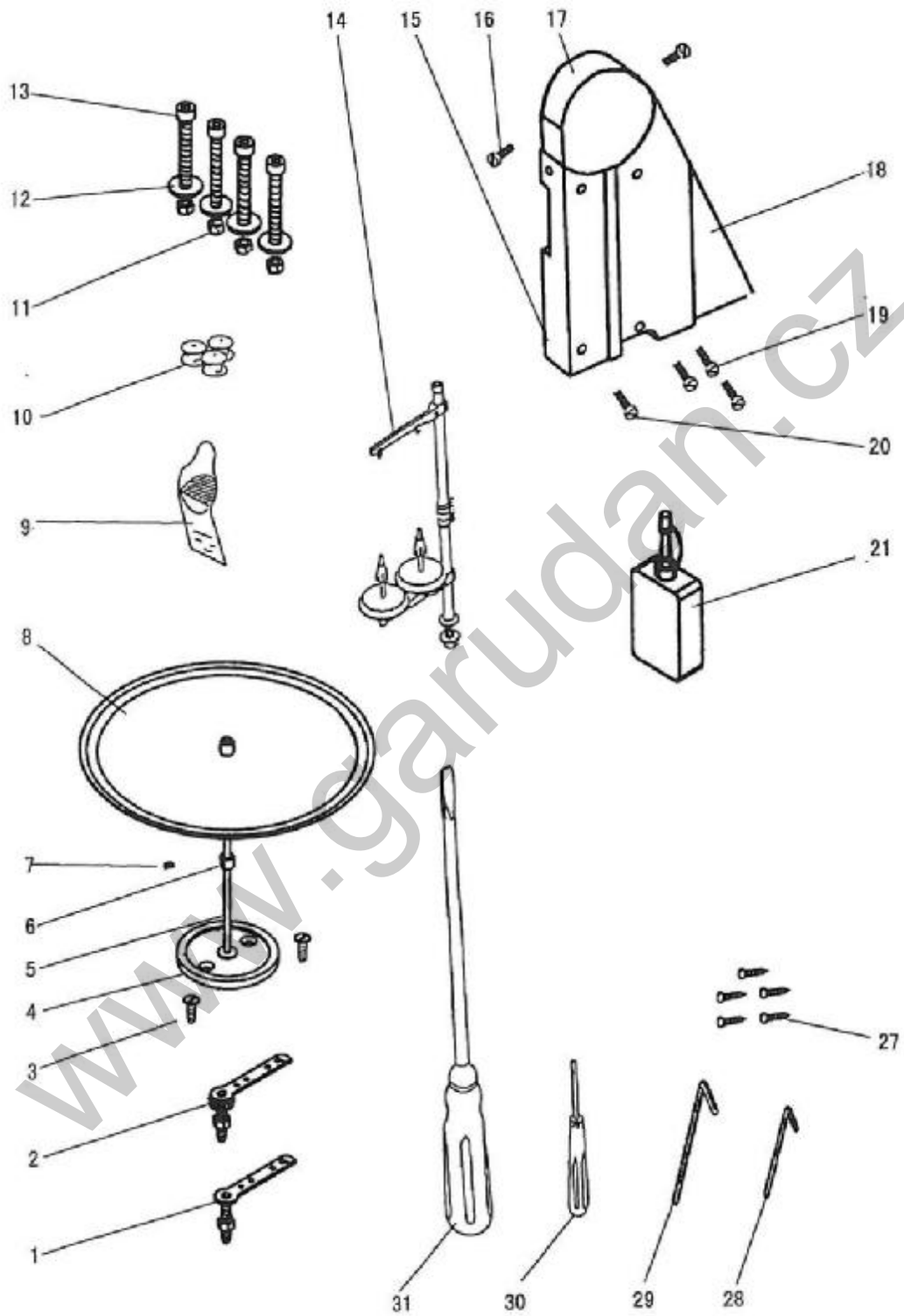
G.THREAD TRIMMER MECHANISM



G. KNIFE MECHANISM

Fig No.	Part. No.	Description	Pcs.	Remarks
G01	HK605H8001	cam	1	
G02	H431060080	Screw	2	M6 × 8
G03	HK613H8001	pin	1	
G04	HK615H8001	spring	1	
G05	HK620H7101	setting plate complete	1	
G06	H007013015	stop ring	2	1.5
G07	H605020180	pin	1	
G08	HK609H7101	setting plate complete (small)	1	
G09	H428040040	screw	2	M4 × 4
G10	HK616H8001	collar	1	
G11	H007009100	stop ring	1	10
G12	HK623H8001	spring	1	
G13	HK618H8001	lifter	1	
G14	HK619H8001	spring	1	
G15	H003002050	nut	1	M5
G16	H415050140	screw	1	M5 × 14
G17	HK632H8001	link	1	JKM5
G18	HK624H8001	nut	1	
G19	H007013030	stop ring	1	3
G20	HK617H8001	pin	1	
G21	HK607H8001	crank	1	
G22	H7312G8001	screw	2	M5 × 12
G23	HK625H8001	spring hook	1	
G24	HK627H7101	setting plate complete for solenoid	1	
G25	H415040100	screw	1	M4 × 10
G26	H003002040	nut	1	M4
G27	HK631H8001	Screw	1	
G28	HA700Q0030	nylon clip	1	
G29	H415040050	screw	1	M4 × 5
G30	H415060140	screw	2	M6 × 14
G31	HK630H7101	solenoid lead complete	1	

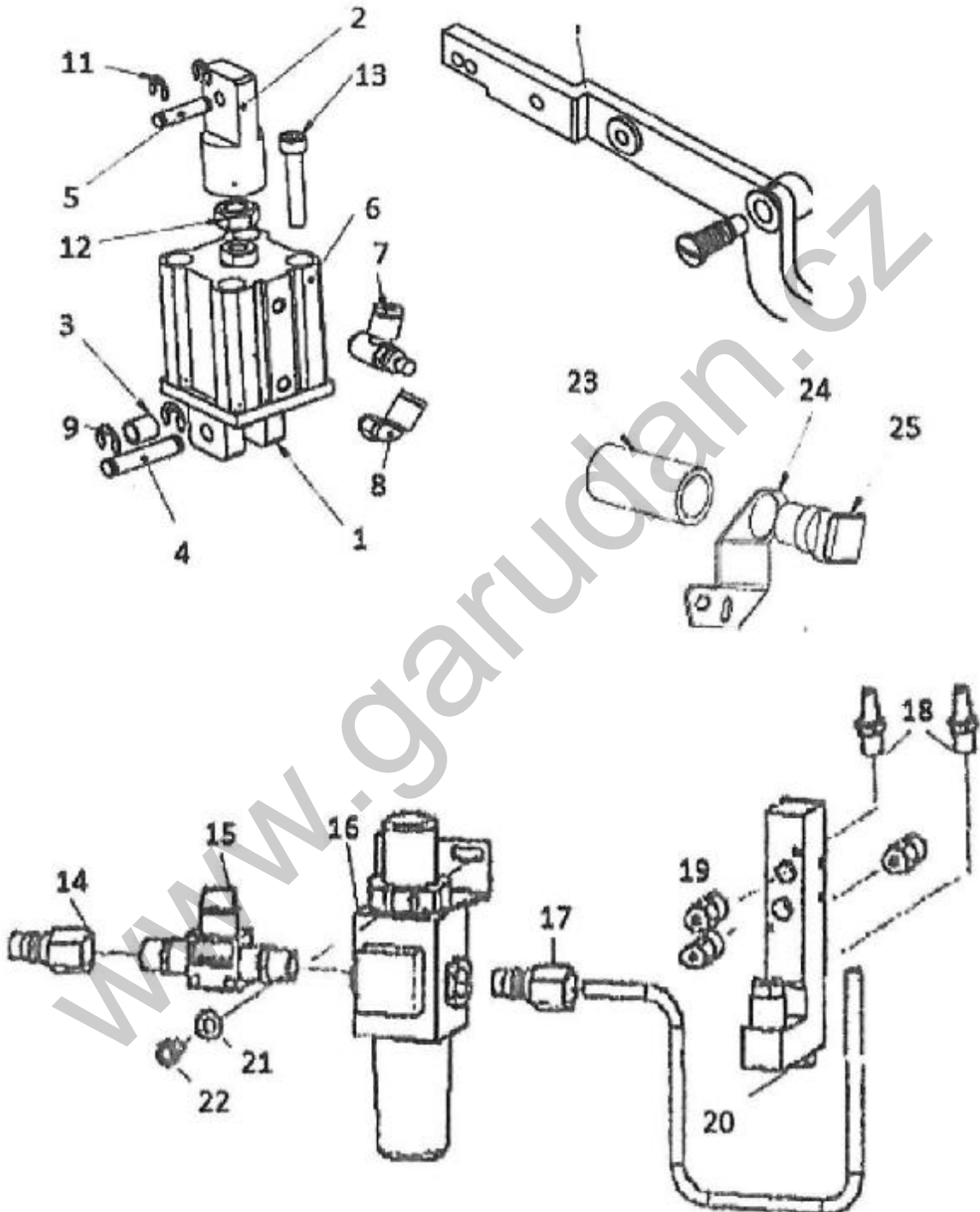
H.ACCESSORIES



H. ACCESSORIES

Fig No.	Part. No.	Description	Pcs.	Remarks
H01	H7308H7101	Thread stand assay	1	
H02	H7311H7101	Bobbin winder assay	1	
H03	H801055250	Wood screw	2	GB/T99 5.5×25
H04	H7326H8001	Seat	1	
H05	H7323H8001	Shelf	1	
H06	H7324H8001	Collar	1	
H07	H7325H8001	Screw	1	SM9/64 (40) × 3
H08	H7320H7101	Plate complete	1	
H09	H7317G8001	Needle	4	DP×35LR 14#-16#
H10	HK636E8001	Bobbin	3	
H11	H003002080	Nut	4	GB/T6170 M8
H12	H005006080	Washer	4	GB/T96 8
H13	H415080600	Screw	4	GB/T70.1 M8×60
H14	HA200J2030	Thread guide	1	GXJ-2
H15	H7328H8001	Belt cover (left)	1	
H16	H200000360	Screw	2	
H17	H6307L8001	Belt cover (upper)	1	
H18	H7327H8001	Belt cover (right)	1	
H19	HA300J2280	Screw	3	
H20	H2400K0160	Screw	1	15/64 (28) × 8
H21	H200400069	Oil tank	1	
H27	H801045200	Wood screw	5	GB/T99 4.5×20
H28	HS68990206	Socket wrench	1	5mm
H29	HS68990207	Socket wrench	1	6mm
H30	HA300J2210	Screw driver (small)	1	
H31	HA300J2070	Screw driver (larger)	1	

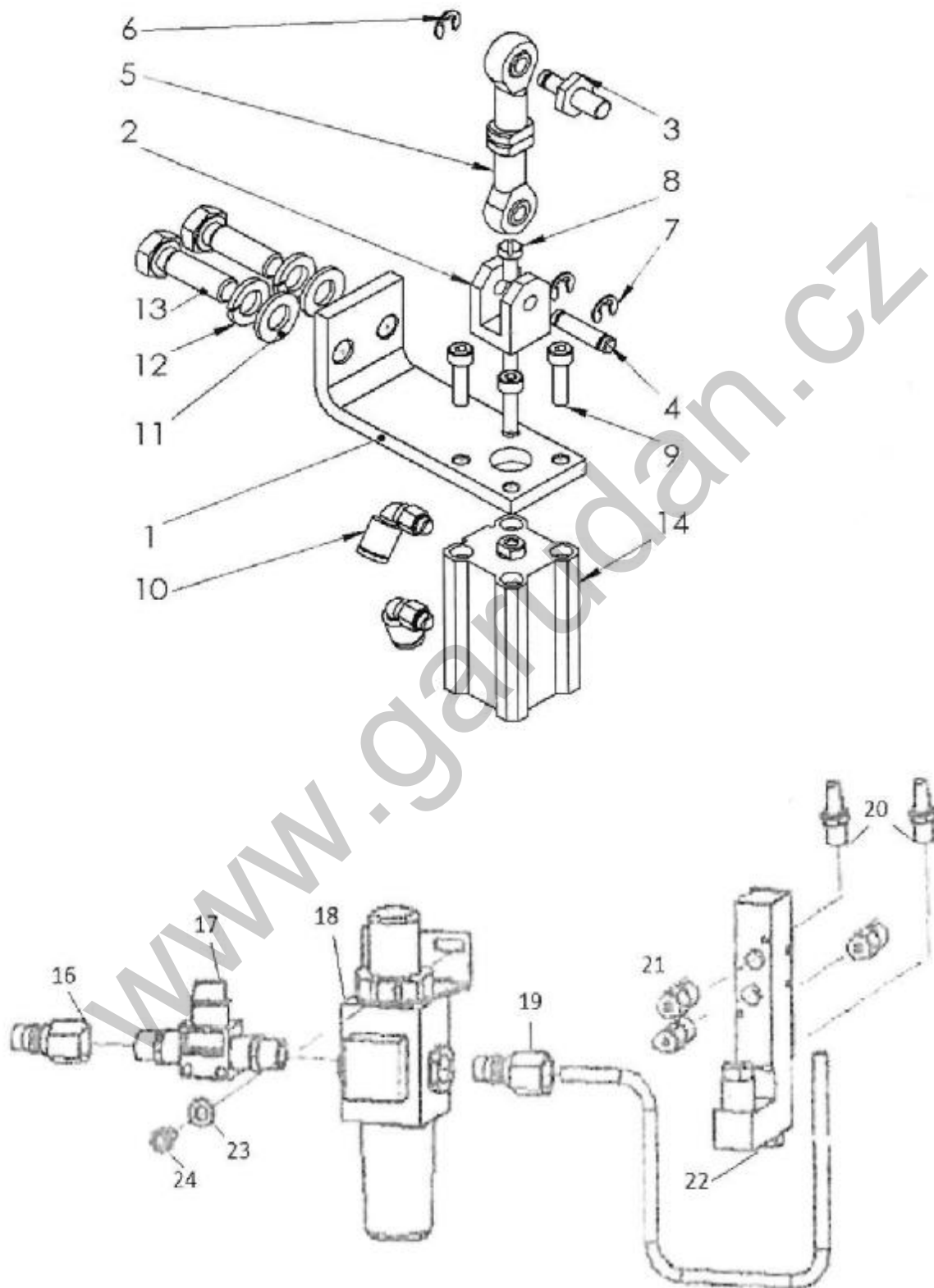
I. PNEUMATIC LIFT OF PRESSER FOOT



I. PNEUMATIC LIFT OF PRESSER FOOT

Fig No.	Part No.	Název	Description	Pcs.
I01	GC-315-02-002	Držák pneuválce	Air cylinder holder	1
I02	GC-315-02-003	kloubová hlavice	Joint head	1
I03	GC-315-02-001	Distančí kroužek	Ring	1
I04	GC-315-02-005	Čep	Pin	1
I05	GC-315-02-004	Čep	Pin	1
I06	CQ2B25-25D	Pneumatický válec	Air cylinder	1
I07	AS120FG-M5-04	Nástrčná spojka	Hose nipple	1
I08	KQ2L04-M5	Nástrčná spojka	Hose nipple	1
I09	DIN 6799-4	Kroužek pojistný	E-ring	2
I10				
I11	DIN 6799-5	Kroužek pojistný	E-ring	2
I12	DIN 934 M8	Maticice (M8)	Nut (M8)	1
I13	DIN 912 M5x45	Šroub (M5x45)	Screw (M5x45)	4
I14	U0101507	Nástrčná spojka	Hose nipple	1
I15	U0201507	Ruční ventil	Hand valve	1
I16	U0301507	Filtr s regulátorem tlaku	Filter	1
I17	U0401507	Nástrčná spojka	Hose nipple	1
I18	703D1012	Tlumič hluku	Silencer	2
I19	U1201507	Nástrčná spojka	Hose nipple	3
I20	U1101507	Ventil elektromagnetický	Electromagnetic valve	1
I21	DIN 125 - A5	Podložka	Washer	2
I22	DIN 912 M5x25	Šroub	Screw (M5x25)	2
I23	SM5-41.30	Pouzdro tlačítka	Button bushing	1
I24	SM5-41.31	Držák tlačítka	Button holder	1
I25	ID0001029	Tlačítko čtvercové	Button	1

J. PNEUMATIC BACKTACKING



J. PNEUMATIC BACKTACKING

Fig No.	Part No.	Název	Description	Pcs.
J01	GC-315-01-001	Držák	Holder	1
J02	GC-315-01-002	Vidlička	Fork	1
J03	GC-315-01-003	Čep	Pin	1
J04	GC-315-01-004	Čep	Pin	1
J05	GC-315-01-005	Kloub	Joint	2
J06	DIN6799-5	Pojistný kroužek	E-ring	1
J07	DIN6799-5	Pojistný kroužek	E-ring	2
J08	DIN 84 M4x16	Šroub (M4x16)	Screw (M4x16)	1
J09	DIN 912 M4x20	Šroub (M4x20)	Screw (M4x20)	4
J10	KQ2L04-M5	Nástrčná spojka	Hose nipple	2
J11	DIN 125 A8,4	Podložka	Washer	2
J12	DIN 127 8	Podložka	Washer	2
J13	DIN 933 M8x25	Šroub (M8x25)	Screw (M8x25)	2
J14	CQ2B16-30D	Pneumatický válec	Air cylinder	1
J15				
J16	U0101507	Nástrčná spojka	Hose nipple	1
J17	U0201507	Ruční ventil	Hand valve	1
J18	U0301507	Filtr s regulátorem tlaku	Filter	1
J19	U0401507	Nástrčná spojka	Hose nipple	1
J20	703D1012	Tlumič hluku	Silencer	2
J21	U1201507	Nástrčná spojka	Hose nipple	3
J22	U1101507	Ventil elektromagnetický	Electromagnetic valve	1
J23	DIN 125 - A5	Podložka	Washer	2
J24	DIN 912 M5x25	Šroub (M5x25)	Screw (M5x25)	2